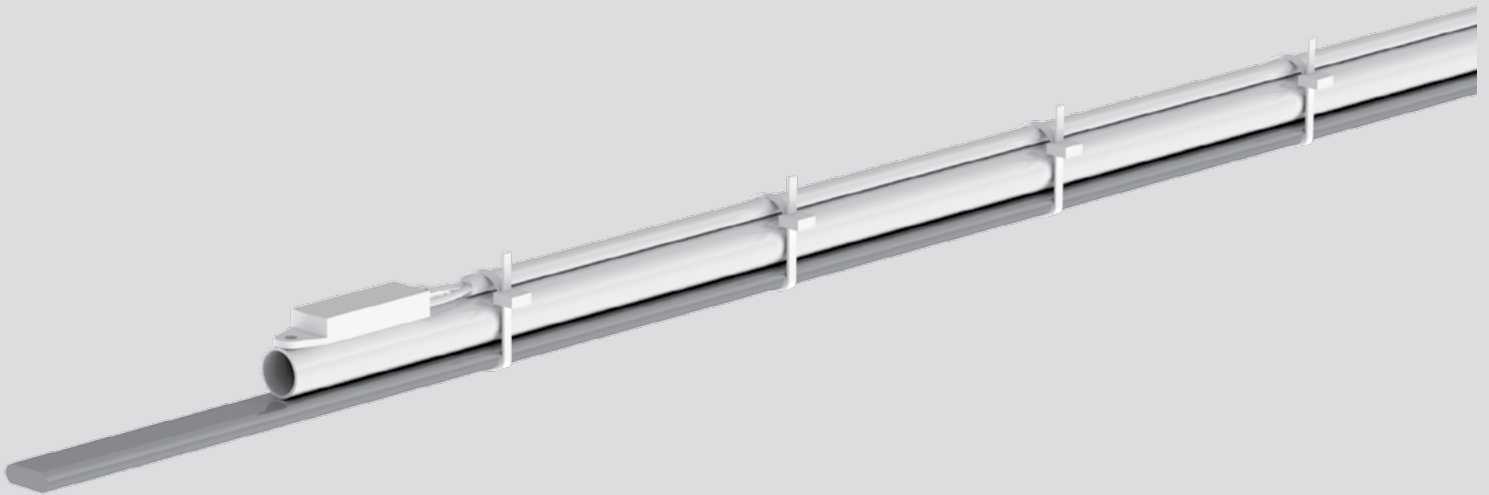


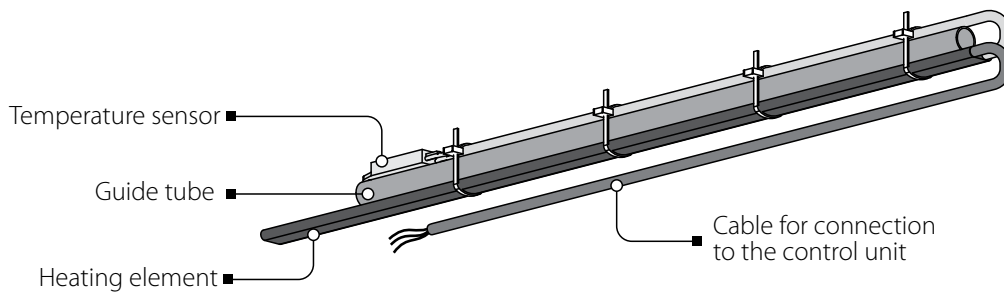
INSTALLATION GUIDE

NE MICRA

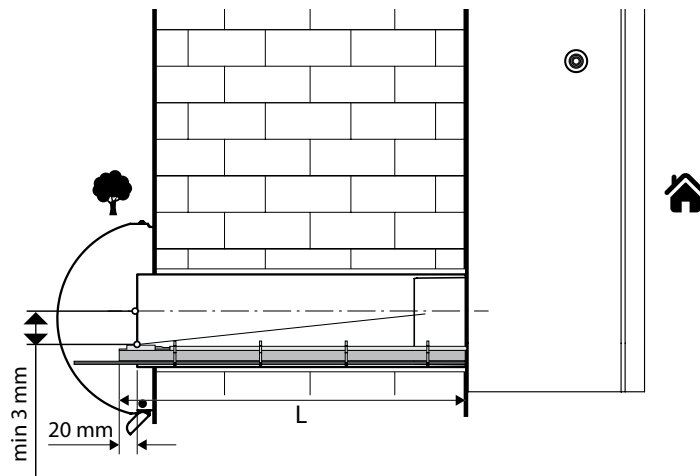


Electric heater - condensation anti freeze

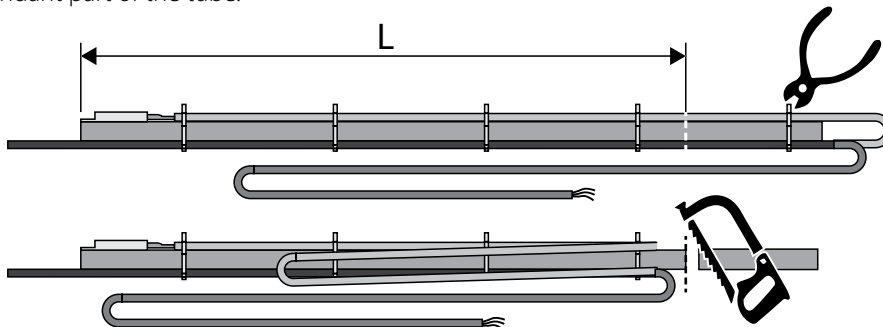
The electric heater maintains above-zero temperature of the condensate drain pipe of the air handling unit. The heater is equipped with a temperature sensor for automatic activation and de-activation. The device is powered via a plug-in cable which connects it to the control unit of the air handling unit.



1 Adjust the heater length L in consideration of the air duct length and the vent hood dimensions.

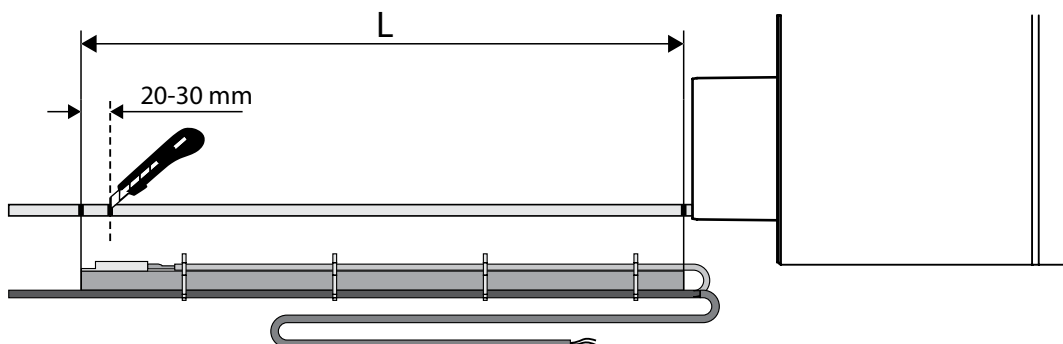


Mark the necessary length of the heater L on the guide tube, cut off the extra cable ties with wire cutters, move the cable away to the side and saw off the redundant part of the tube.

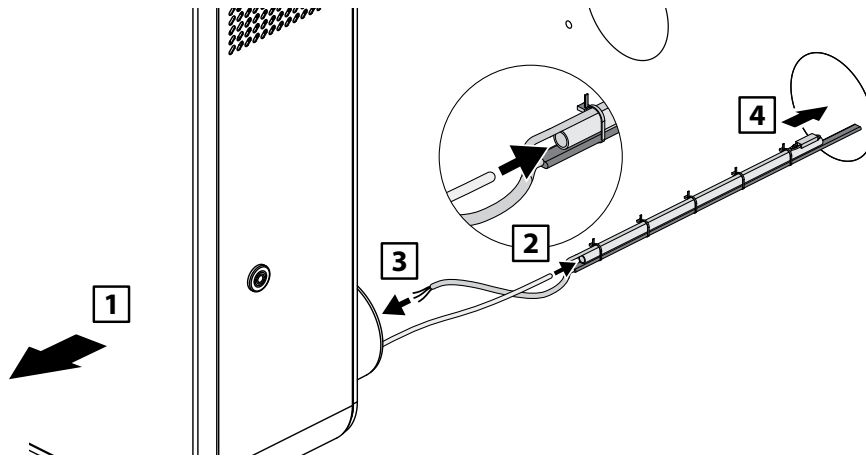


2 Trim the drain tube.

The distance between the ends of the drain tube and the guide tube on the temperature sensor side shall be 20 - 30 mm.

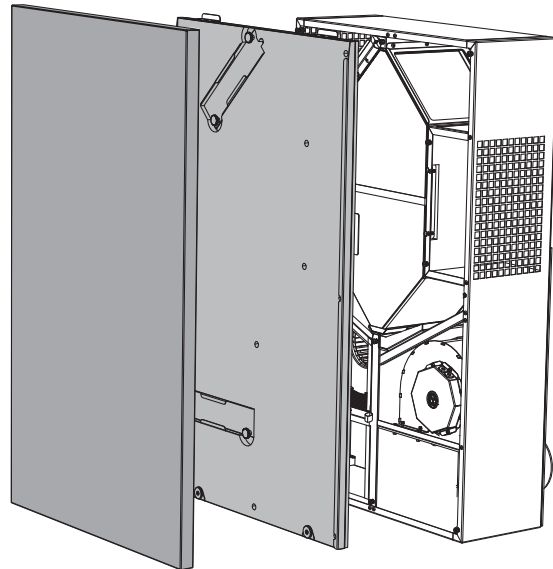


- 3 **1** Install the electric heater prior to the air handling unit installation or remove the air handling unit if already installed. **2** Insert the drain tube into the guide tube. **3** Route the heater cable through the connection pipe. **4** Place the electric heater inside the air duct and suspend the air handling unit back in place.

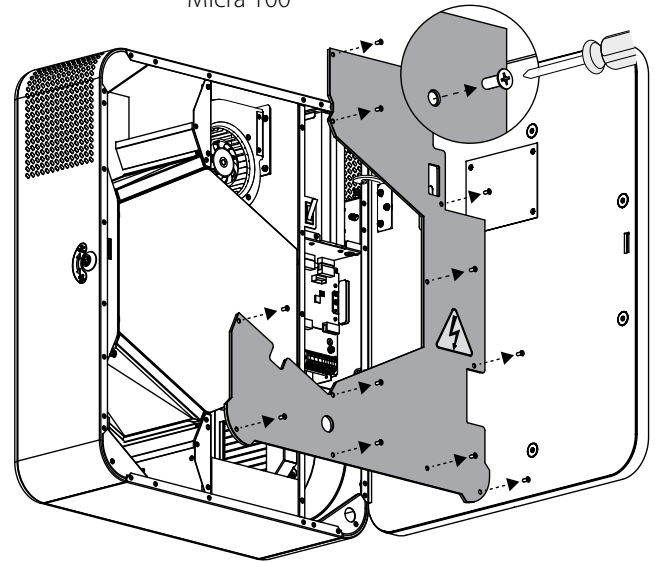


- 4 To access the control unit, open the air handling unit and remove the shielding plate by undoing the attachment screws.

Micra 110

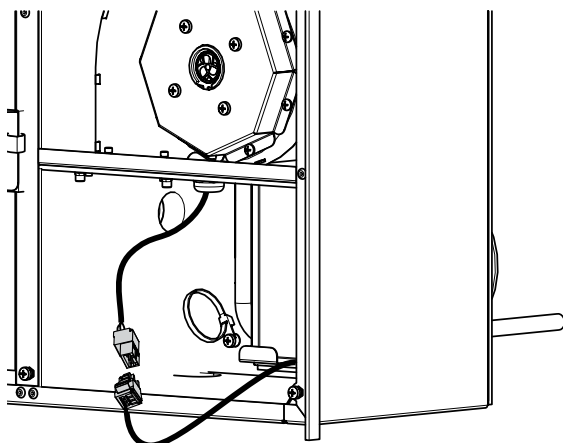


Micra 100



- 5 Connect the heater to the control unit in accordance with the wiring diagram.

Micra 110



Micra 100

